

Tech-How Make the Difference!



*Fugitive Emission Safety
Applicable in Critical Lines
Corrosion & Leakage Protection*

Special Flange Insulation Set



STARTEC[®]





STARTEC® High Performance Insulation

1. STARTEC® Special Benefits

- Reliable insulation sealing on significantly important industrial critical lines
- Stable services for fluctuated pressure, vibration and temperature cycling conditions
- Withstand in cathodic protection and galvanic corrosion in various piping system
- Safety protection from electrical corrosion in dissimilar metal flanges
- High strength of sealing retainer prevent damages from excess compression
- Usable for mismatched RTJ with Raised Face Flange connections
- Dedicate to Environmental Safety by reducing fugitive emission
- Electrical protection on UG (Under Ground) and AG (Above Ground) Installation

Standard

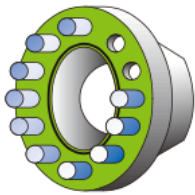
ASME
API
JIS/KS
DIN
Others

Available to install various flange specification

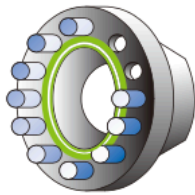
Application

H₂S, High Pressure
High pH and other severe conditions

Gasket Type

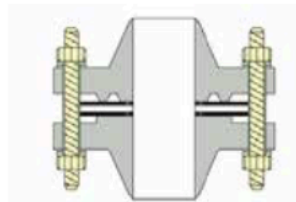


TYPE "E"
(FF TYPE)

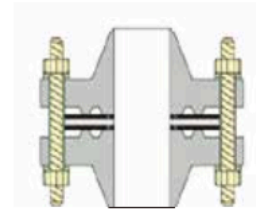


TYPE "F"
(FR TYPE)

Flange Installation



RTJ + RF



RTJ + RTJ

2. Customer Solution

- Engineering Design works for EPC & Project
- Non-Standard Supporting
- Large Diameter gasket, up to 1,500mm (OD)
- Technical Advice on value application
- Suggest for Problem Solution
- Available with Various Exotic Materials such as Duplex, Inconel etc

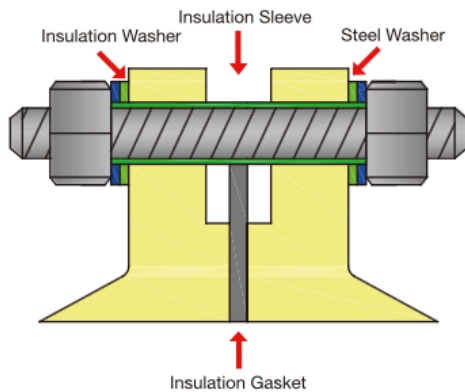
- 1 JIC9320-OFS Series**
Optimized Fire Safety
- 2 JIC9320-OS Series**
Optimum Sealing
- 3 JIC9230-ES Series**
Spring Energized PTFE Seal



STARTEC[®] High Performance Insulation

Insulation Set & Parts

Insulation Double Washer Set



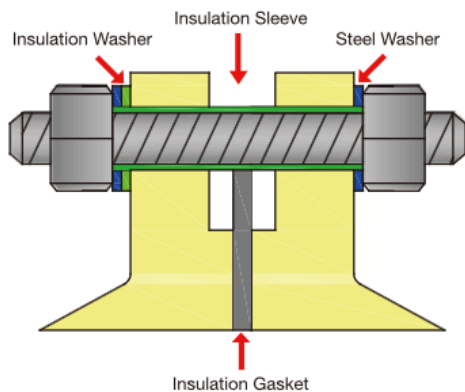
Application

- Steel Washer : 2ea per bolt
- Insulation Washer : 2ea per bolt
- Full Length Insulation Sleeve : 1ea per bolt

1. Standard Insulation Kit Composition

- Complete insulation for flange protection
- Additional usage protection for possible straighten of nuts & bolts
- Zinc Plate C/S, Galvanized, Stainless Steel
- Fit with standard flange bolt facing

Insulation Single Washer Set



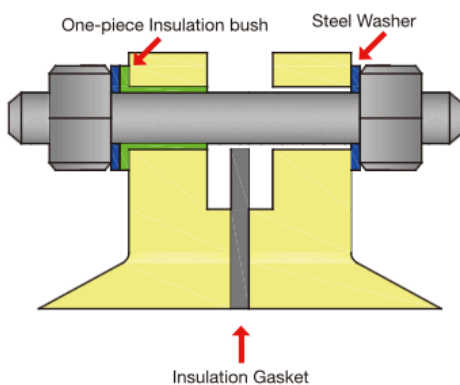
Application

- Steel Washer : 2ea per bolt
- Insulation Washer : 1ea per bolt
- Half Length Insulation Sleeve : 1ea per bolt

1. Economical Double Washer Composition

- Single Washer applicable on buried purpose in CP (Cathodic Protection) system
- Fit with standard flange bolt facing

One-piece Insulation bush Set



Application

- Steel Washer : 2ea per bolt
- Half Length one-piece Insulation bush : 2ea per bolt(or 1ea available)

1. One-piece Insulation Bush Composition

- Specially fabricated to suitable on standard bolt hole
- Can be replaced with minimum length for urgent usage
- Easy installation & assembly